

FROST
DENMARK

**NOVA2
TOILET ROLL HOLDER 9**

Fitting instruction



O1972



N1972



N1972-C



N1972-BOC



N1972-GO



N1972-BMG



N1972-B



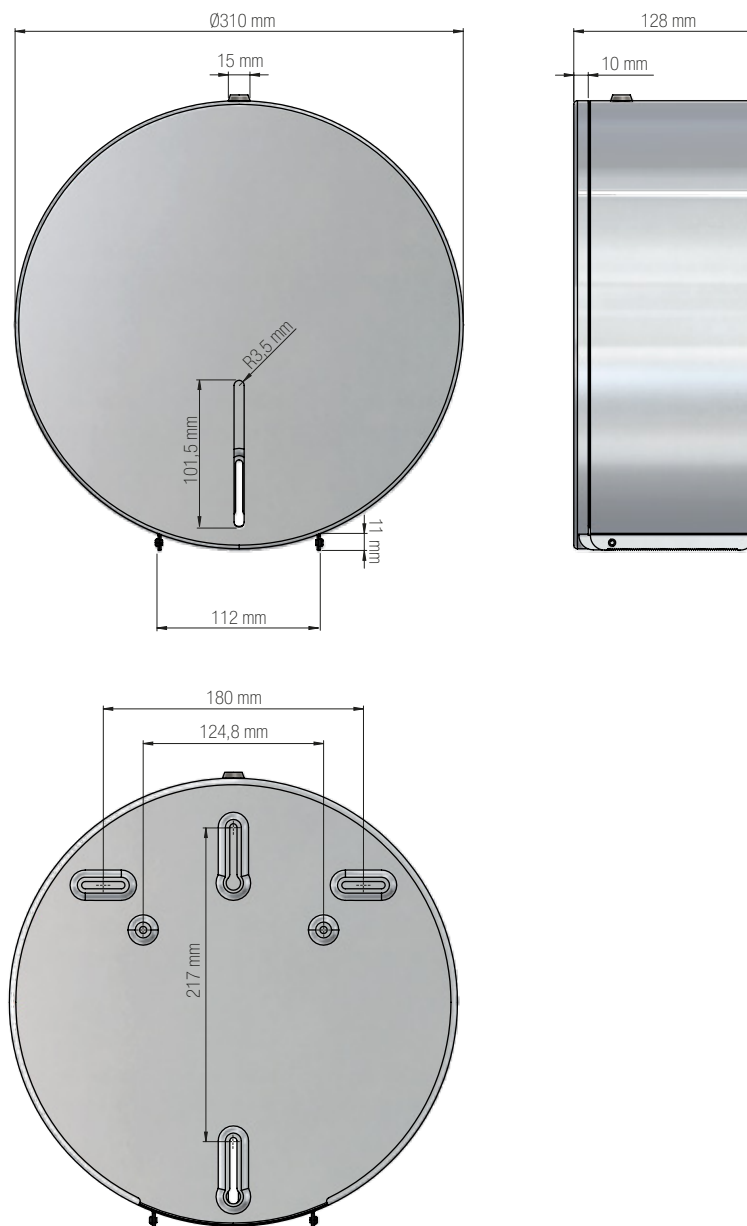
N1972-BCB



N1972-W

Material: Stainless steel, AISI 304
Design: Bønnelycke mdd.
Manufacturer: FROST A/S, Bavne Alle 32,
DK-8370 Hadsten
www.frost.dk

TOILET ROLL HOLDER 9



Cleaning and maintenance

Stainless steel surfaces should be cleaned with a micro bre cloth, glass cleaner or other non abrasive and gentle agents.

Attention

Never use solvents or aggressive household cleaners like bleach, acids (e.g. descalers) or ammonia-based bathroom cleaner to clean the product. Steel wool and hard brushes can permanently damage the surface of the steel.

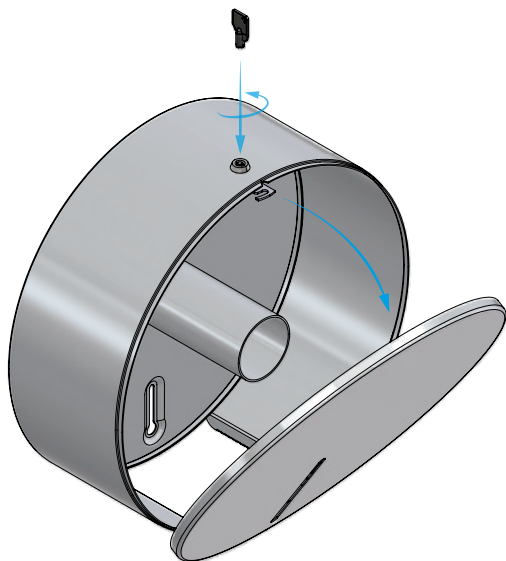
Exclusion of liability

FROST accepts no liability whatsoever for damage to persons or property that occurs or has occurred as a result of improper installation or maintenance, particularly if the safety instructions and other points to note listed are not or have not been observed in full.

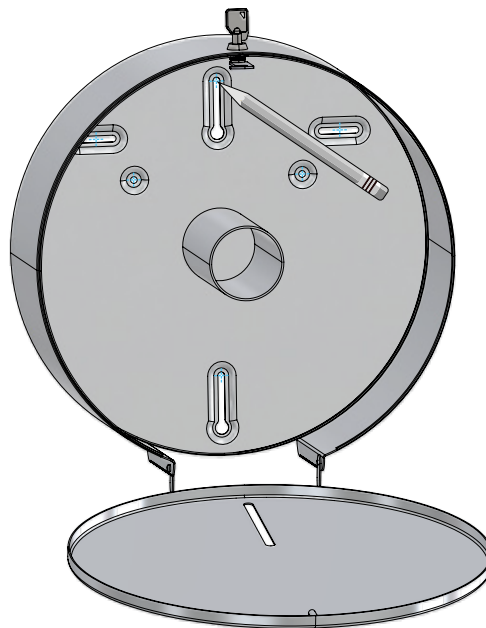
Warning and hazard notices

Improper mounting or use can lead to accidents and serious injuries.

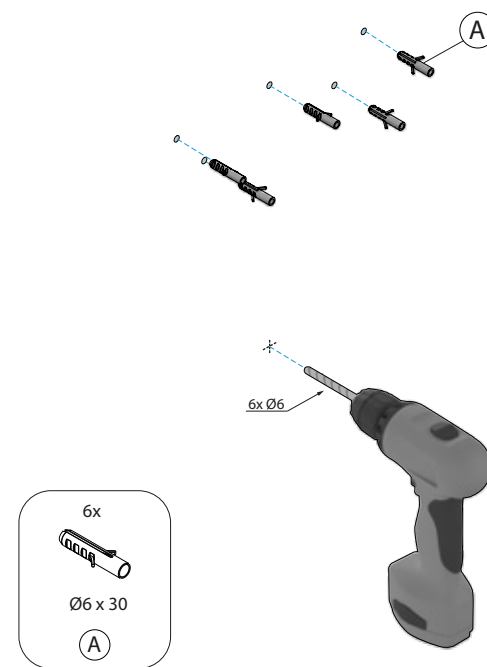
1. Use enclosed key to open.



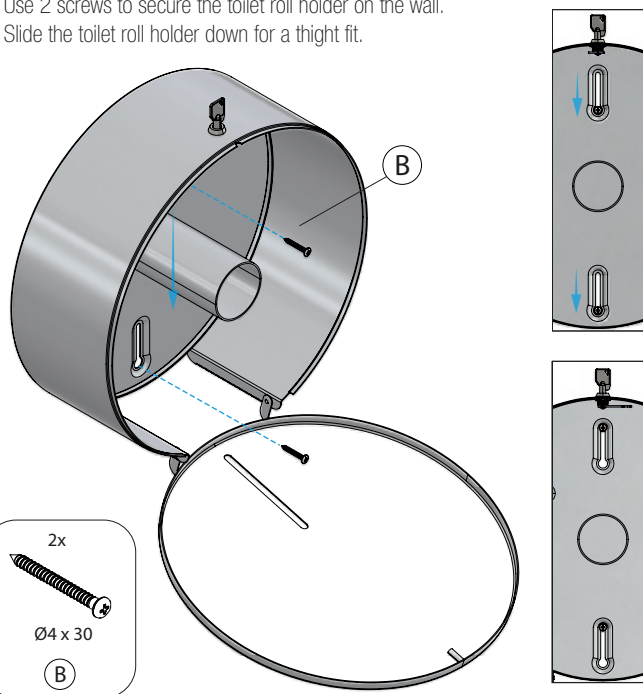
2. Mark placements of screw holes.



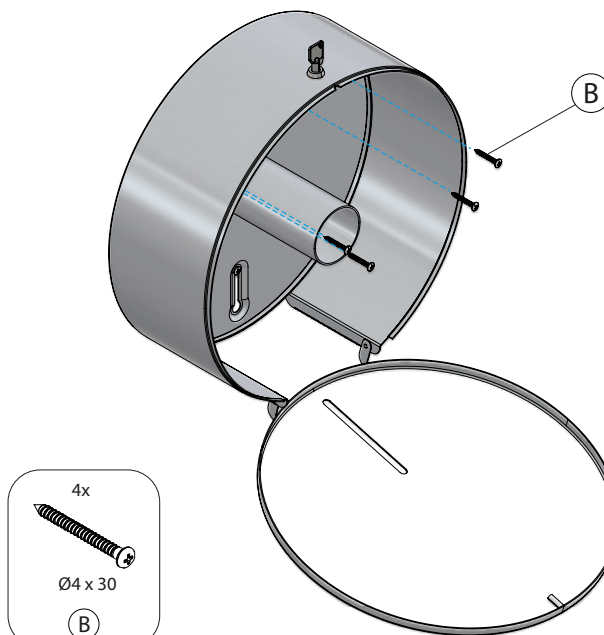
3. Drill the marked holes and insert wall plugs.



5. Use 2 screws to secure the toilet roll holder on the wall. Slide the toilet roll holder down for a tight fit.



6. Use the 4 last screws to fully secure the toilet roll holder.



7. Insert the jumbo paper and close the front with the enclosed key.

