



FROST



PAPER DISPENSER AND PAPER BIN

The Paper Dispenser and Paper Bin is from the Nova2 range - designed by Bønnelycke MDD. They come in six finishes: Modern Gold, Original Copper, Pure White, Classic Black, Timeless Silver and Universal Brushed.

Care instruction

Stainless steel surfaces should be cleaned with a microfiber cloth, glass cleaner or other non-abrasive and gentle agents.

PAPER DISPENSER

W: 300 x H: 325 x D: 110 mm
Weight: 5,0 kg
Material: Stainless Steel

Paper: 22 x 9 cm (8,7 x 3,5 inches)
Tork Advanced Soft H2 or similar.

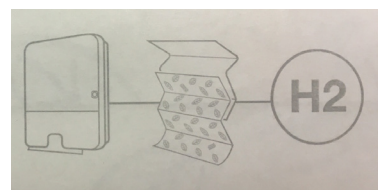
Installation:
Recommended height for paper dispenser 1450mm

PAPER BIN

W: 300 x H: 400 x D: 150 mm
Weight: 7,0 kg
Material: Stainless Steel

Capacity: 30 litres

Installation:
Recommended height for paper bin top 850mm



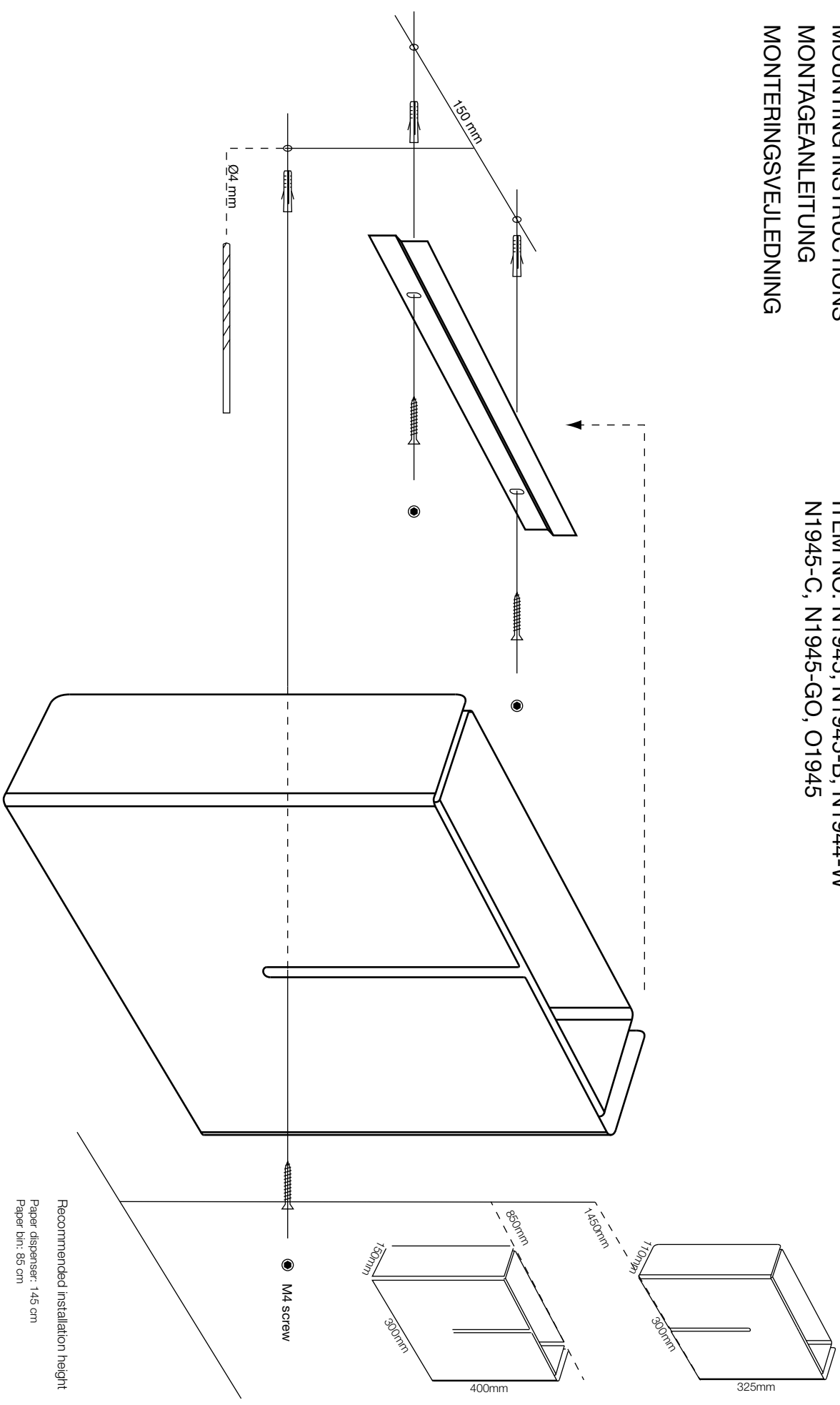


FROST

WASTE BIN, WALL

MOUNTING INSTRUCTIONS
 MONTAGEANLEITUNG
 MONTERINGSVEJLEDNING

ITEM NO. N1945, N1945-B, N1944-W
 N1945-C, N1945-GO, O1945



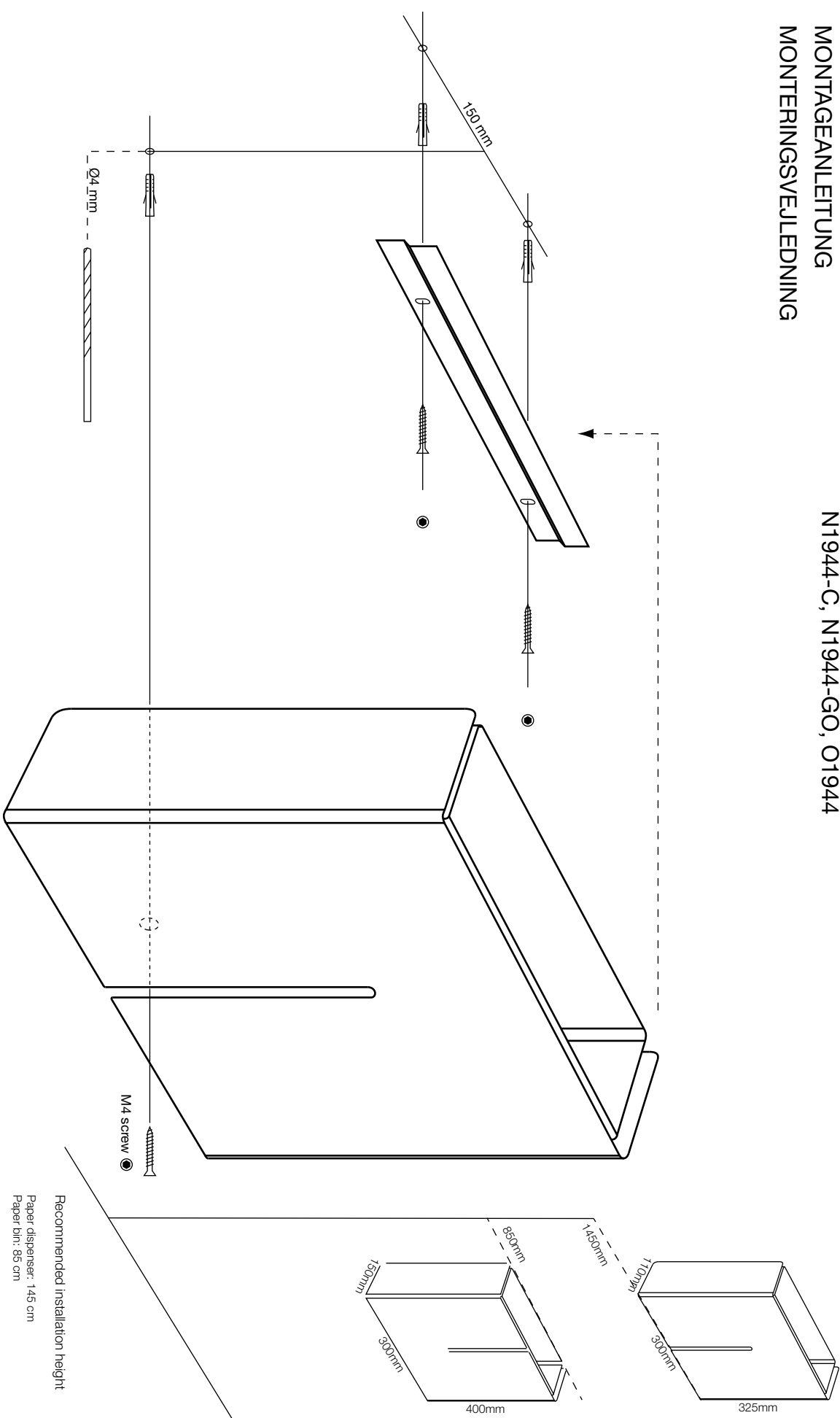


FROST

PAPER DISPENSER, WALL

MOUNTING INSTRUCTIONS
 MONTAGEANLEITUNG
 MONTERINGSVEJLEDNING

ITEM NO. N1944, N1944-B, N1944-W
 N1944-C, N1944-GO, O1944



Recommended installation height
 Paper dispenser: 145 cm
 Paper bin: 85 cm